

### FEATURES

- Open VPX VITA 62 compliant
- Three-phase AC input
- High power DC output
- Efficiency of 90% typical
- Conduction cooled at card edge
- Conformal coating on PWA



### 6U Open VPX VITA 62 High Power, Three-Phase AC-DC Front-End Module

Behlman's VPXtra™1500CS series COTS AC to DC front-end module is a rugged, highly reliable, conduction cooled, switch mode unit built for high-end industrial and military applications. The VPXtra™1500CS is a VITA 62, Open VPX compliant, 6U, front-end module that accepts a 115/200 VAC, 3-phase input, IAW MIL-STD-704, and delivers 1500 Watts of 33 VDC power. Input current compliant with CE101 and MIL-STD-1399.

The VPXtra™1500CS front-end module has no minimum load requirement and has short circuit protection as well as over current and thermal protection. The front-end module is designed to support the rigors of mission critical airborne, shipboard, vehicle and mobile applications.

Designed and manufactured with Xtra-Cooling™, Xtra-Rugged™ construction and Xtra-High™ Reliability makes the Behlman VPXtra™1500CS your best choice.

### INPUT

**Voltage:** 115/200 VAC +/- 20%, 3-phase,  
47-440 Hz

**Power Factor:** 0.99

### OUTPUT

**Power:** 1500 Watts

**Voltage/Current:** 33 VDC @ 46 Amps

**Auxiliary:** 3.3 VDC @ 0.2 Amps

**Input Regulation:** 0.5% maximum

**Load Regulation:** 5.0% maximum (0-100%)

**PARD-Ripple & Noise:** 300mVp-p (0-20MHz)

**Efficiency:** 90% typical

### CONTROLS

**Inhibit:** Output Off- active low

**Enable:** Input On- active low

**Fail:** Output voltage out of tolerance – active low

### INDICATORS (Four LED's for the following):

**AC OK:** Green

**DC OK:** Green

**Output Enable:** Green

**Temp Fault:** Red

### PROTECTIVE CIRCUITS

Over Current

Over Temp Warning

Over Temp Shutdown

Output overvoltage



## GENERAL CHARACTERISTICS

### ISOLATION:

Input to Output:	1250 VDC
Input to Case:	1250 VDC
Output to Case:	100 VDC

## ENVIRONMENTAL

### Temperature at card edge (IAW VITA 47)

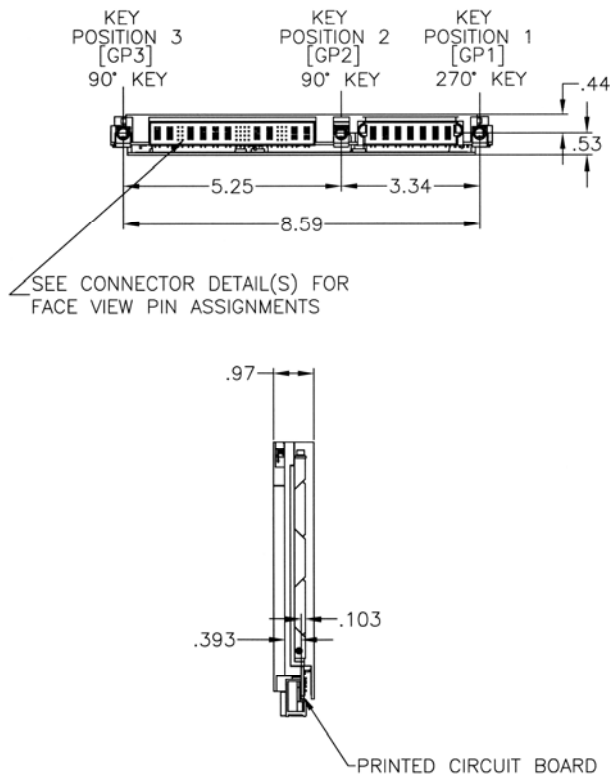
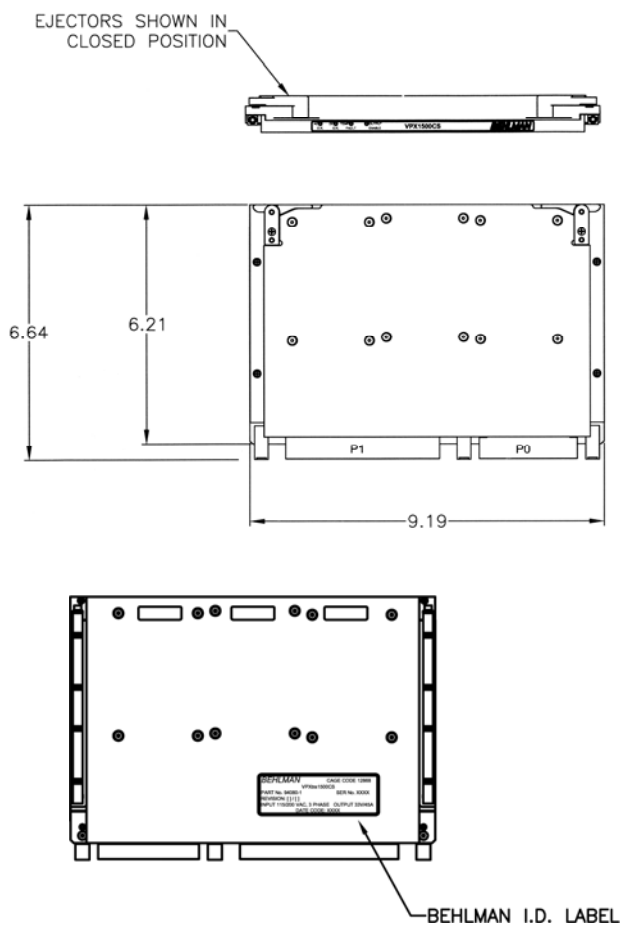
Operating:	-40°C to +71°C
Storage:	-40°C to +105°C

## MECHANICAL (1.0 inch pitch)

Dimensions:	9.19"L x 6.64"W x .97"H
Weight:	5.5 lbs. max
Input Connector:	P0-IAW O&C drawing 24150-1
Output Connector:	P1-IAW O&C drawing 24150-1

## Designed to meet the following MIL Standards

Shock:	MIL-STD-810
Vibration:	MIL-STD-810
Humidity:	MIL-STD-810
EMI:	MIL-STD-461
CE102	Requires external filter
RE102	When installed in appropriate shielded chassis



VPXtra™ is a trademark of Behlman Electronics.  
VPX is a trademark of VITA.



VITA Member

[www.behlman.com](http://www.behlman.com)

**ORBIT POWER GROUP**  
**Behlman Electronics**

Headquarters:  
80 Cabot Court, Hauppauge, NY 11788  
631 435-0410 800 874-6727  
Fax: 631 951-4341

2363 Teller Road, Suite 108  
Newbury Park, CA 91320  
805 375-7046 800 456-2006  
Fax: 805 498-2147

[sales@behlman.com](mailto:sales@behlman.com)